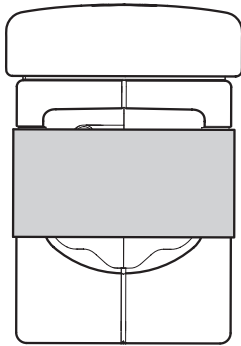


catch
BOX

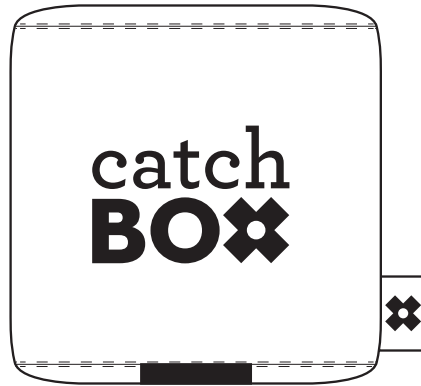
Pro

User's Manual

Copyright 2014 Trick Technologies Oy



Catchbox Pro Module



Catchbox Cover

Contents

- 1 Safety Instructions**..... 4-5
- 2 Quick Start**..... 6-15
- 3 Product Description** 16-18
 - Overview 16
 - Compatibility 17
 - Proper Use and Working Environment 18
- 4 System Overview**..... 19
 - Catchbox Pro Module..... 20
 - Catchbox Cover..... 21
 - Catchbox PRO (Without 3rd Party Transmitter) 22
- 5 Operations**..... 23
 - Turning the Device On..... 23
 - Locking the Transmitter to the Cover..... 24
 - Opening the Catchbox 25
 - Throwing the Catchbox 26
 - Speaking into the Catchbox..... 27
 - Connecting Catchbox Pro Module with 3rd Party Belt-pack Transmitter 28-30
- 6 Troubleshooting**..... 31
- 7 Maintenance, Storage, and Disposal** 32
- 8 Notes**..... 33

2 Safety Instructions

! NOTICE !



- Before using the product, read and understand the user manual and inform others of proper usage.
- Follow all warnings and instructions on the product and in this manual.
- Keep these instructions and always include these instructions when passing the apparatus on to third parties.

! WARNING !



- Not heeding these warnings might lead to serious injury or property damage.
- Do not throw at peoples' heads and always make sure everyone is aware of the situation before throwing.
- Do not use in situations with fragile objects, hot liquids, or people susceptible to injury, like the very young or old.
- Do not throw long passes or hard passes.
- Properly lock the Pro Module into the cover before use. Always use the cover and the foam cap on the Pro Module, when using the product.
- Do not swing or throw the product from its handle. This may cause the Pro Module to detach from the cover.
- Only use compatible 3rd party transmitters, as specified by the manufacturer, with the Pro Module. Using incompatible transmitters may result in damage to audio equipment, an increase in overall product weight leading to an increased chance of injury, and/or a failure of the locking mechanism causing the Pro Module or 3rd party transmitter to fall out during use causing injury.
- Operating or storing this product at temperatures above 50 degrees Celsius or 122 degrees Fahrenheit will cause the locking mechanism to fail permanently.
- This product contains magnets which could affect the functioning of pacemakers and other electronic implants. These could stop working or switch into test mode, causing illness. If you wear these devices keep sufficient distance to magnets. Warn others who wear these devices from getting too close to magnets.



! CAUTION !



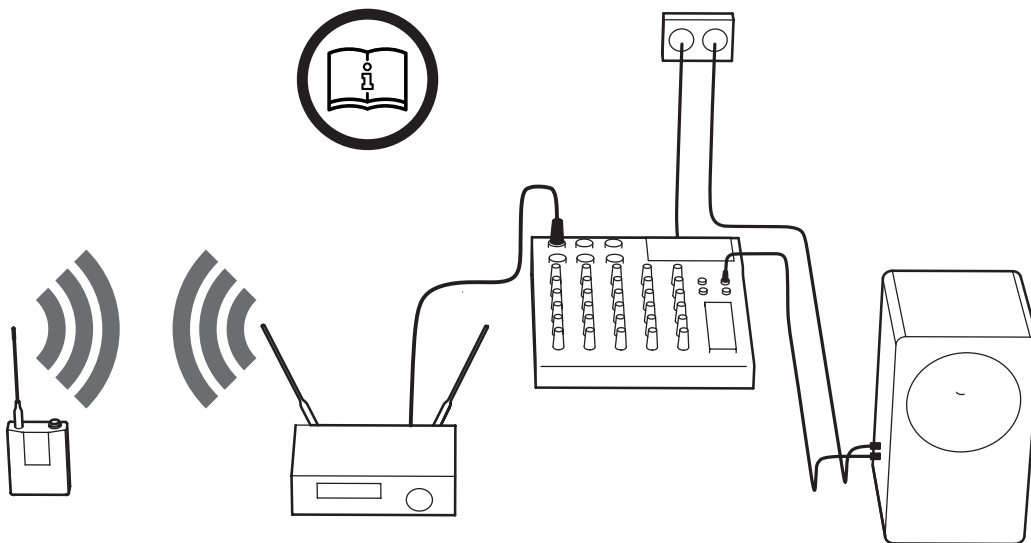
- Magnets produce a far-reaching, strong magnetic field. Keep magnets away from devices and objects that could be damaged by strong magnetic fields, like laptops and other electrical equipment.
- Do not place the product near heat sources such as heating ducts or radiators and do not expose it to direct sunlight, excessive dust, moisture, rain, mechanical vibrations or shock.
- Do not use near water. Use equipment indoors only. If the equipment comes into contact with a liquid, turn off the product and shut down the sound system.
- Avoid excessive volume. Do not exceed 70dBa for airborne noise.
- Clean the equipment with a moistened (not wet) cloth only. Be sure to turn off the device before cleaning the equipment, during lightning storms, and/or when not in use.
- The equipment should be opened, serviced, and repaired by qualified service personnel only.
- Do not attempt to modify this product or its accessories and use only accessories and attachments, specified by the manufacturer.
- Use only AA (LR6) type alkaline batteries with the product.
- Be sure to dispose of dead batteries as required by local waste disposal rules. Never throw batteries into a fire or a garbage bin

3 Quick Start

Catchbox Pro uses 3rd party wireless transmitters to function. For a list of compatible transmitters, see the section on compatibility or visit the manufacturers website, www.getcatchbox.com.

1.

Setup a compatible 3rd party transmitter and receiver pair, syncing the two units and connecting the receiver to a sound system. For specific instructions, see the relevant user manual provided by the manufacturer of said system.





AKG®



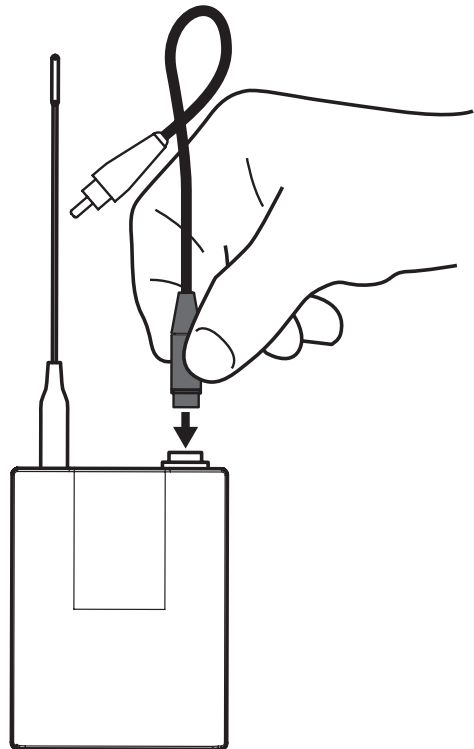
SHURE®



SENNHEISER®

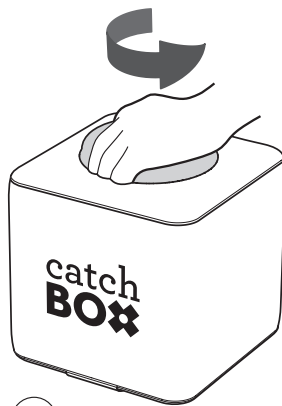
2.

Choose an adapter cable based on the brand and model of your 3rd party transmitter and connect it to the microphone input of said transmitter.

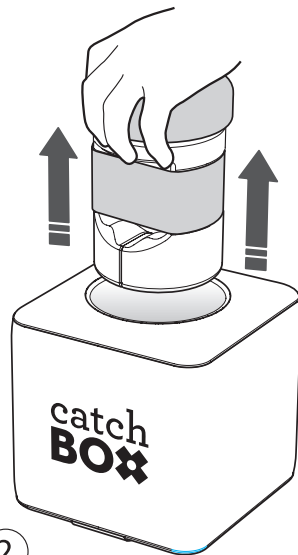


3.

Remove the Catchbox Pro Module from the outer cover by twisting the cylinder 90 degrees and pulling upwards.



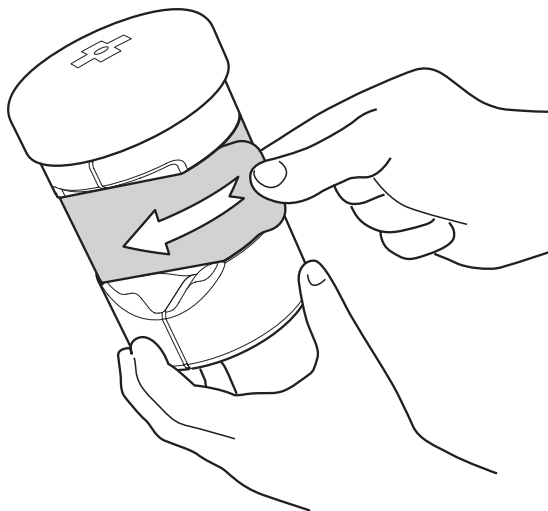
1



2

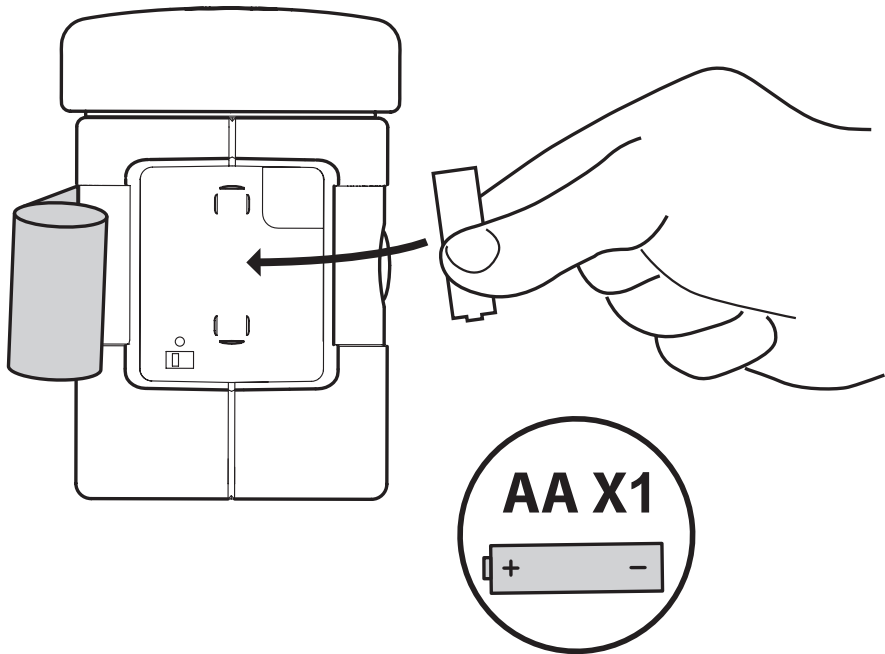
4.

Open the velcro strap surrounding the device by pulling it gently along the surface of the module.



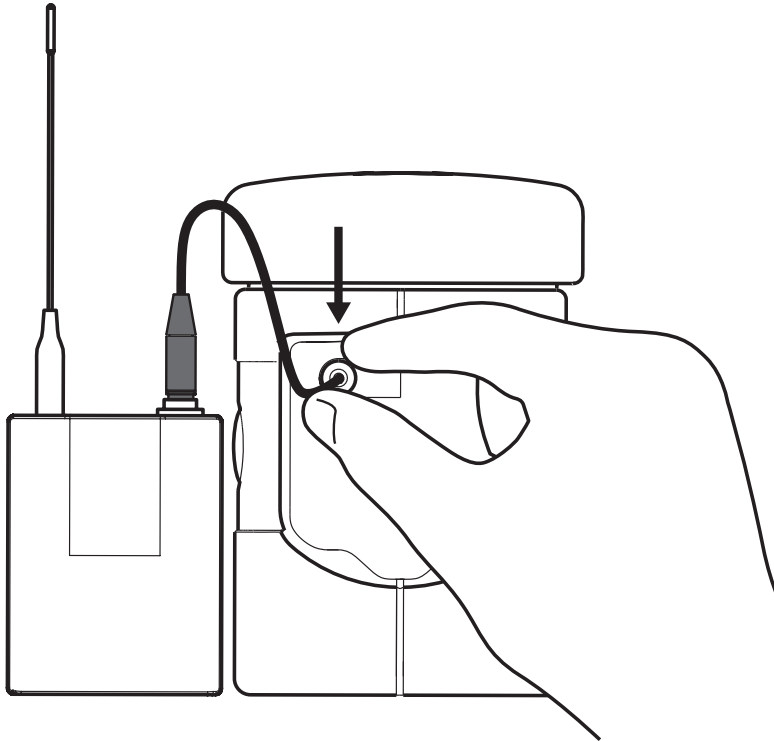
5.

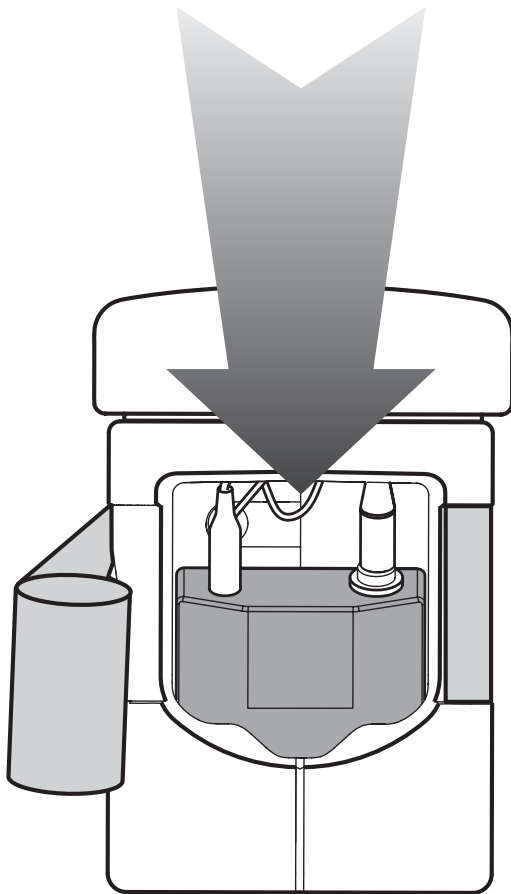
Install one AA battery into the back part of the Catchbox Pro Module.



6.

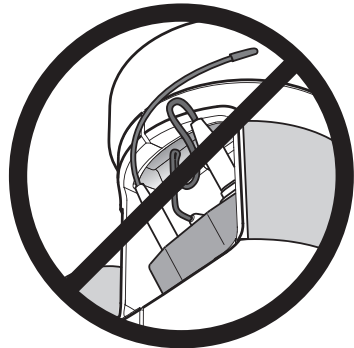
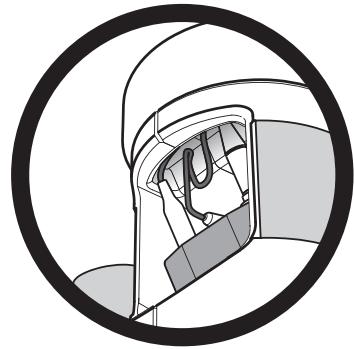
Connect the 3rd party transmitter to the Catchbox Pro Module by plugging the RCA male end of the adapter cable into the RCA female connector, located inside the front cavity of the Catchbox Pro Module.





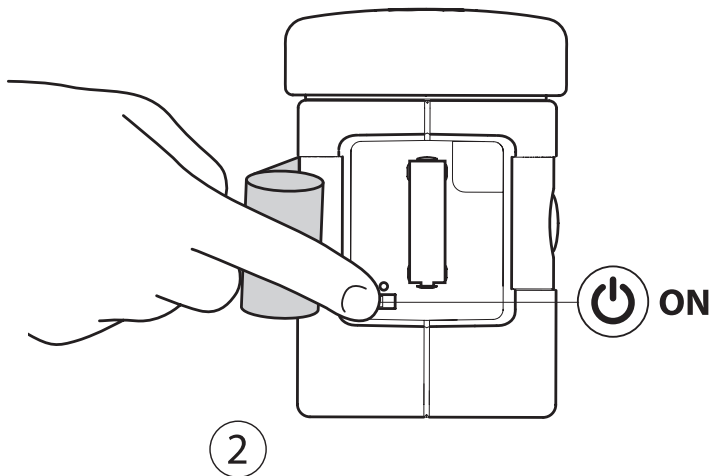
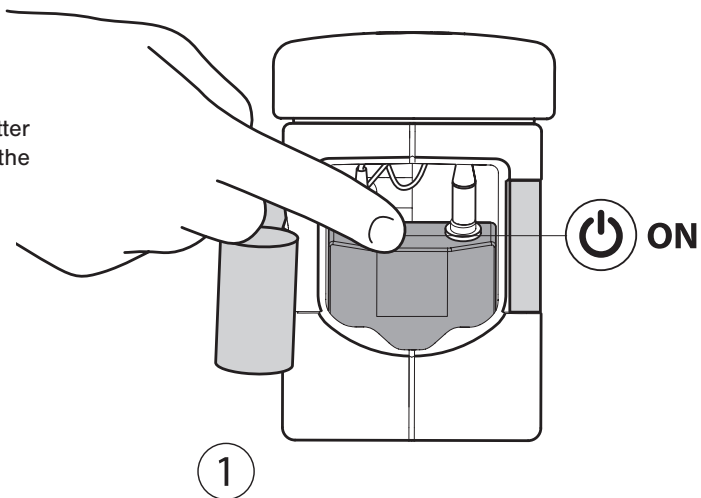
7.

Place the transmitter inside the cavity of the Catchbox Pro Module making sure no antennas or cables are protruding outwards.



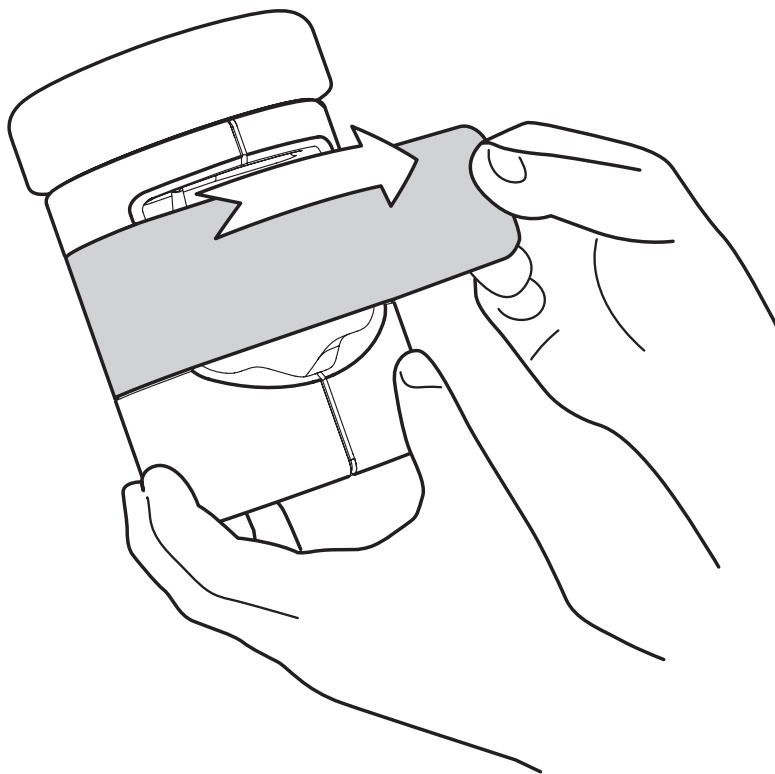
8.

Turn on both the 3rd party transmitter and the muting circuit located at the back of the Catchbox Pro Module.



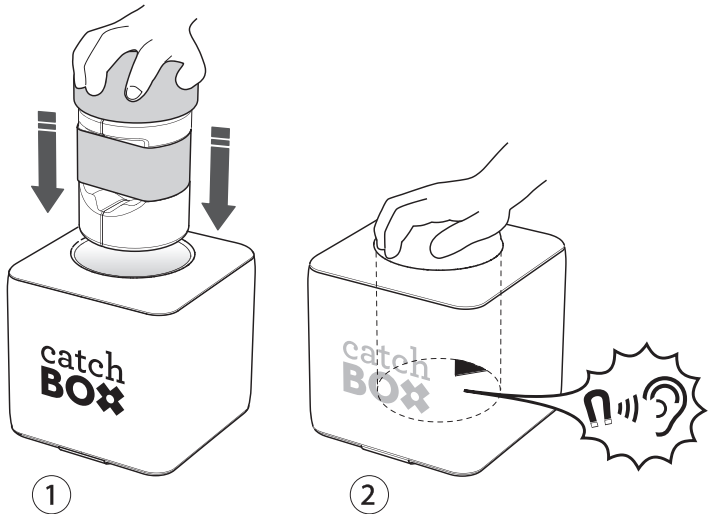
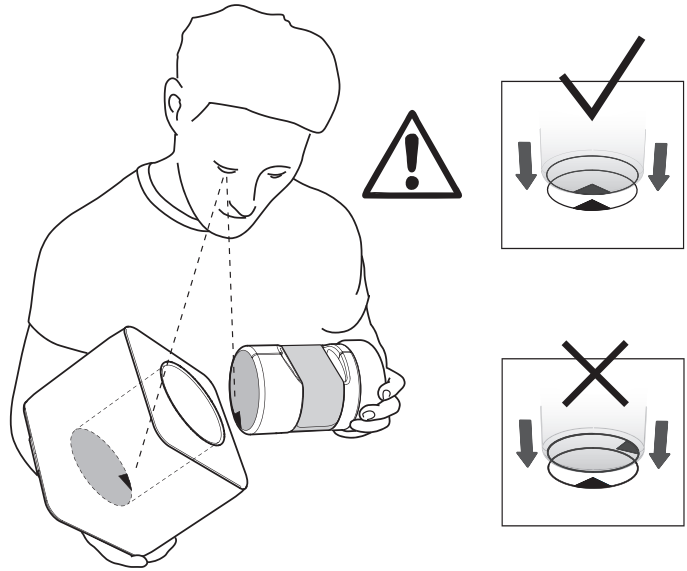
9.

Secure the velcro strap tightly around the Catchbox Pro Module, ensuring that both the battery located at the back as well as the frontal cavity are covered by the velcro strap.



10.

Place the Catchbox Pro Module inside the cover, making sure to align the magnetic locking mechanisms of both the cover and the Catchbox Pro Module. See visual marks for guidance.



11.

Test the volume level by speaking into the microphone and adjusting it using the volume controls on the 3rd party transmitter or receiver.



! CAUTION !

Avoid excessive volume. Do not exceed 70 dBa for airborne noise. Before turning on the device, make sure the volume knob on your 3rd party receiver is turned to zero, so as to ensure no unexpected loud noises when starting.

4 Product Description

Overview

Catchbox Pro is the world's first throwable microphone module, allowing audio professionals to convert existing wireless microphone transmitters into soft, throwable microphones. These final assemblies, in turn, can be quickly passed from one audience member to the next in crowded spaces, making it an easy and fun way to get audience members to ask questions and make comments, whether it be in a lecture, a meeting, a workshop, or even a conference. The module comes with an integrated professional microphone element connected to the unique automute technology, which turns off the audio signal when the microphone is in movement, ensuring the system doesn't make any unwanted noises when being passed around. The Catchbox Pro Module itself does not act as a transmitter. Instead, wireless transmission is carried out entirely by the 3rd party wireless transmitter. This means no separate license is required to operate the module as long as one has been obtained for the 3rd party wireless transmitter.

Key Features

- Automute technology
- Integrated Microphone Element
- Compatible with industry leading wireless microphone brands

Included Components

- Catchbox Pro Module
- Catchbox Cover
- RCA to 3 pin mini XLR adapter cable
- RCA to 4 pin mini XLR adapter cable
- RCA to 3.5 mm plug adapter cable



! CAUTION !

Do not attempt to modify this product or its accessories and use only accessories and attachments specified by the manufacturer.

Compatibility

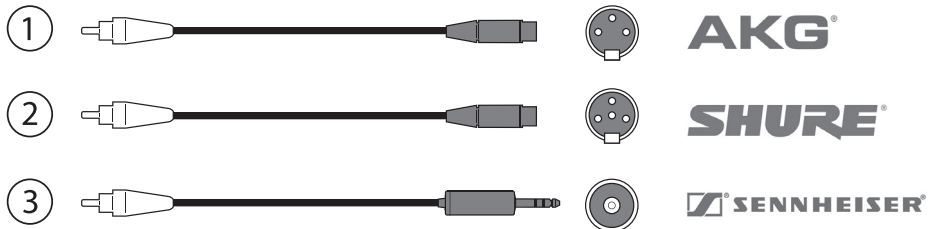
The Catchbox Pro, wireless microphone module, allows audio professionals to convert 3rd party wireless microphone transmitters into throwable microphones. The device comes with different adapter cables which allow users to connect commonly used 3rd party transmitters to the integrated microphone element and automatic muting circuit. Currently, the Catchbox Pro has been tested and verified to work with the following models of transmitters from Shure™, AKG™ and Sennheiser™ :

Compatible Belt-pack Transmitters:

Shure	AKG	Sennheiser
ULX-D1	DPT 700	SK 500
QLX-D1	PT 470	SK 300
UR1M	PT 420	SK 100

These transmitters have been tested to fit into the cavity inside the Catchbox Pro Module. It is important not to use 3rd party transmitters, other than those mentioned above, as these can be too heavy or oversized, making the device unsafe to throw.

To connect a compatible 3rd party transmitter to the Catchbox Pro, the device comes with three different adapter cables. These cables have different pin layouts depending on the brand of the transmitter you would like to use. Simply choose the adapter cable that matches the pin layout of your compatible belt-pack transmitter.



- 1) 3 pin mini XLR (AKG)
- 2) 4 pin mini XLR (Shure)
- 3) 3.5 (1/8 in) (Sennheiser)

Proper Use and Working Environment

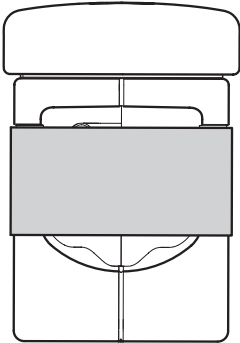
Safety First

While the Catchbox PRO is a fun way to make events more engaging, improper use can lead to personal injury and/or property damage. Please understand that the manufacturer accepts no liability for damage or injuries arising from the misuse of this product. It is very important to read the safety instructions before using the product. Specifically, make sure that the Catchbox Pro Module, along with the 3rd party wireless transmitter, is securely locked inside the foam cover before using the product. Remember to only use 3rd party wireless transmitters specified as being compatible with the product by the manufacturer. Also, do not throw long or hard passes, and avoid using the device in situations where there are glasses, fragile items, hot liquids, unsuspecting people, or people susceptible to injury, like the very old or young. Also, avoid swinging or throwing the device from its handle as this may cause the locking mechanism to fail, releasing the inner part and potentially causing injury.

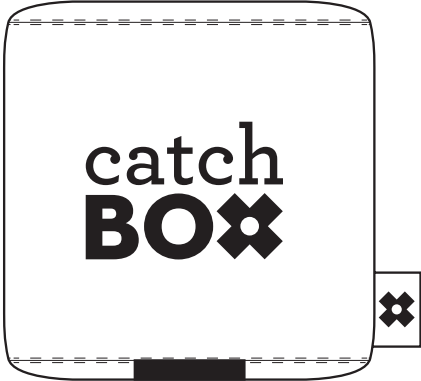
Things to Consider With Magnets

Since the product contains magnets, care should be taken when setting up the product for use. Avoid placing the Pro Module on electrical devices, such as laptops, as these can be adversely affected or damaged from the magnetic field. People with pacemakers or other electrical implants should be especially careful, as these devices could stop working or switch into test mode if they come into direct contact with a strong magnet.

5 System Overview



Catchbox PRO
Module



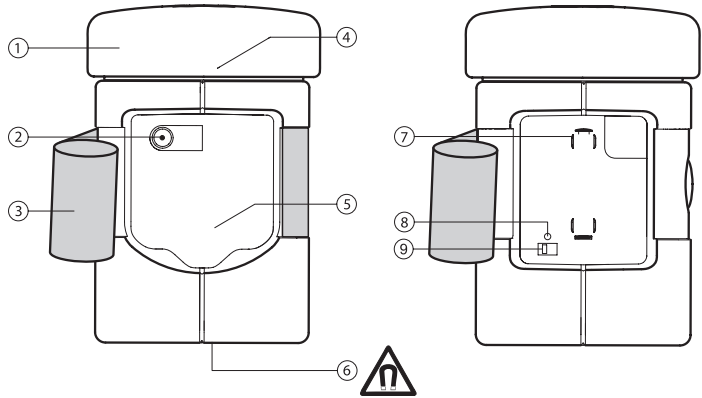
Catchbox
Cover

NOTE: Catchbox Pro uses compatible 3rd party wireless transmitters to work. Some specifications of the system are reliant on the make and model of the 3rd party wireless transmitter that is used with the product. These specifications include range of operation, radio frequency, audio frequency response, and system latency.

Catchbox Pro Module

Parts

- 1) Foam Cap
- 2) RCA Port
- 3) Velcro Straps
- 4) Microphone Element
- 5) Cavity for 3rd Party Transmitter
- 6) Magnetic Lock
- 7) Battery Compartment
- 8) Status LED
- 9) Power Switch



Specifications

Weight (without 3rd party transmitter)

130g / 4.6 oz

Battery type

1x AA (alkaline)

Battery life

≈ 20h

Status LED Meaning

Off

The Automatic Muting circuit and microphone element are not powered.

Green

The Automatic Muting circuit and microphone element are powered.

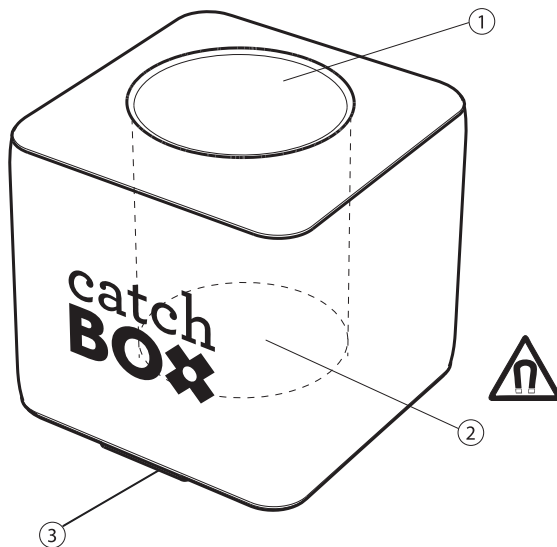
Red

The Automatic Muting circuit with integrated microphone element has less than 2 hours of battery life left.

Catchbox Cover

Parts

- 1) Opening for Pro Module
- 2) Magnetic Lock
- 3) Handle



Specifications

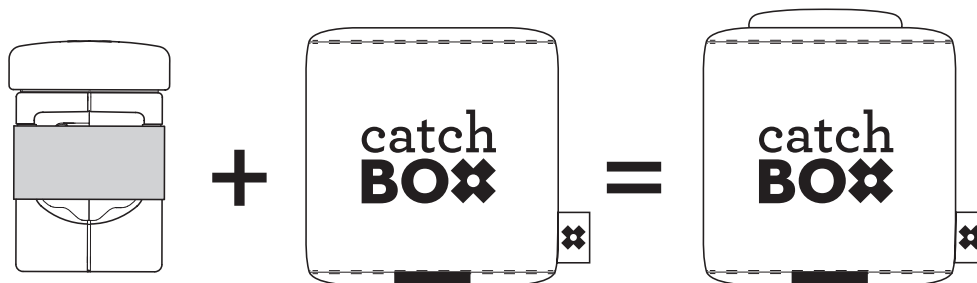
Weight

200 g / 7 oz

Dimensions

18 x 18 x 18 cm / 7 x 7 x 7 in

Catchbox Pro (Without 3rd Party Transmitter)



Specifications

Weight

330 g / 11.5 oz

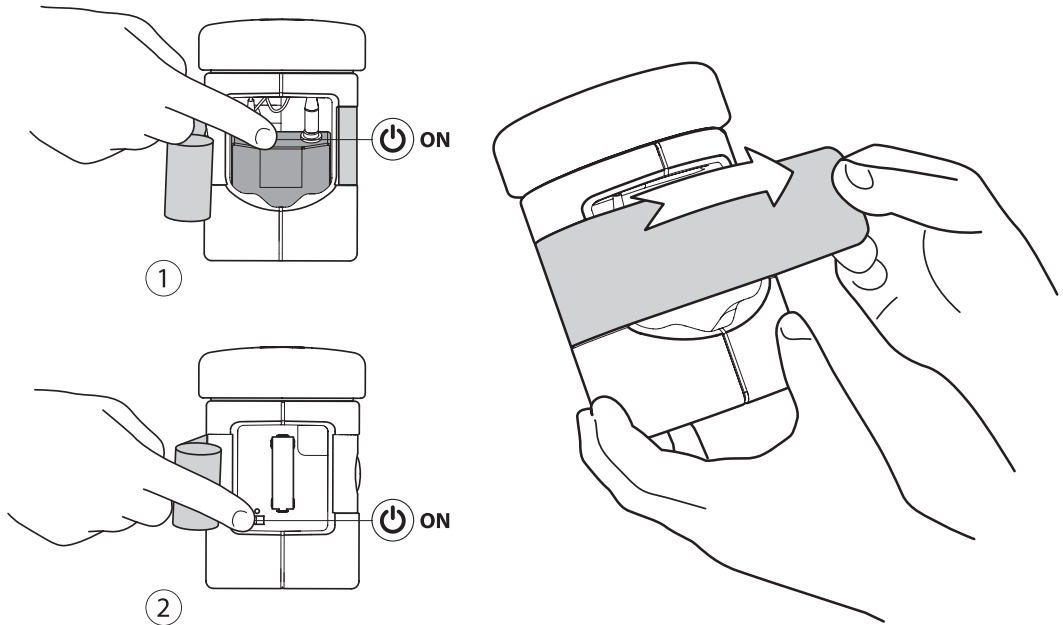
Dimensions

18 x 18 x 18 cm / 7 x 7 x 7 in

6 Operations

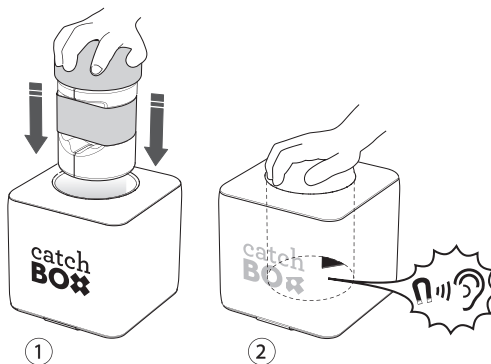
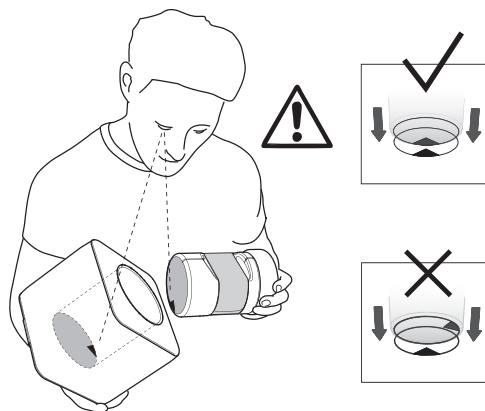
Turning the Device On

To turn on the device, place one AA battery in the muting circuit of the Catchbox Pro Module and an appropriate battery into the 3rd party transmitter. Then turn on both the muting circuit and 3rd party transmitter. The LED on the back side of the Catchbox Pro Module should turn green. Secure the AA battery and the 3rd party transmitter in place by tightening the velcro strap around the device as shown in the picture.



Locking the Pro Module Into the Cover

To lock the Catchbox Pro Module unit into the cover, align the pictures located at the bottom of the Catchbox Pro Module and bottom of the cover with each other. The locking mechanism is composed of two magnets that attract each other when correctly aligned. To test whether the locking has been successful, one can try to pull on the Catchbox Pro Module and attempt to remove it with a vertical force. If it does not come out with significant force, the magnets are correctly aligned. To remove the Catchbox Pro Module, simply twist it 90 degrees and pull. This motion will misalign the magnets and allow for easy removal of the inner part.

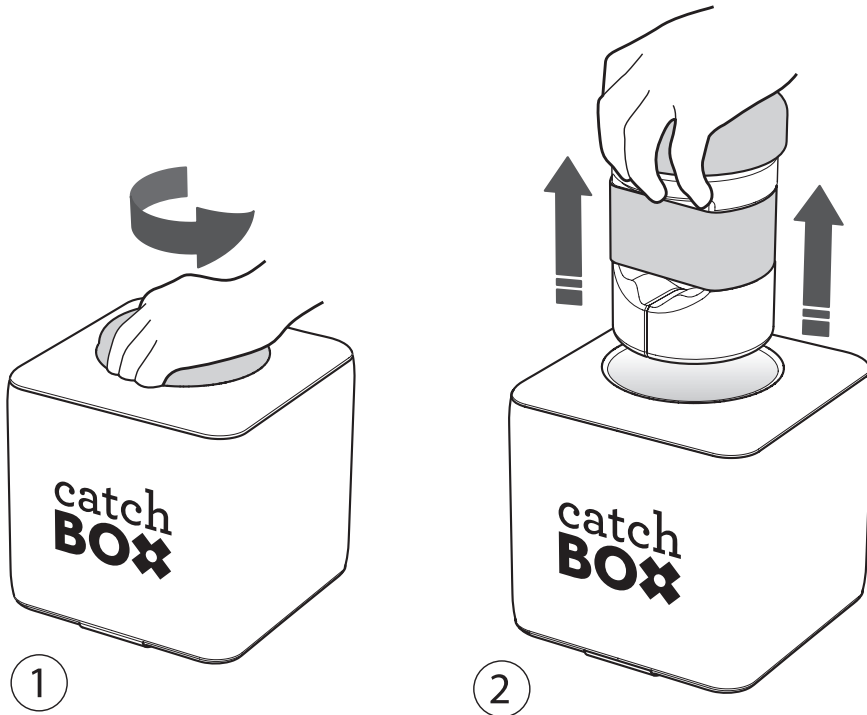


! WARNING !

Always properly lock the Catchbox Pro Module, with the attached foam cap, into the cover before use. Improperly locking the Catchbox Pro Module, or a failed locking mechanism, will result in the unit coming out during use, potentially leading to serious injury and/or property damage.

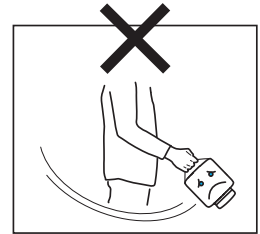
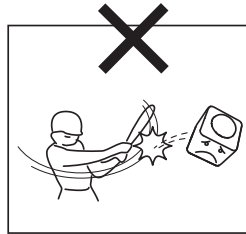
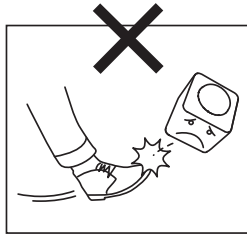
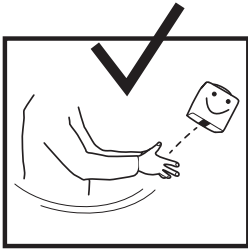
Opening the Catchbox

To remove the Catchbox Pro Module, simply twist it 90 degrees and pull upward. This motion will misalign the magnets and allow for easy removal of the unit.



Throwing the Catchbox

To throw the Catchbox microphone, find someone in the audience who wants to ask a question or make a comment. Make sure that the person and those around him or her are aware of the situation and are prepared to catch the microphone. Avoid throwing the Catchbox if there are fragile electronics or hot liquids nearby, as these might spill or be damaged from the throw. Short, underhand passes of around 5 meters distance are recommended. If someone farther away has a question, try to get the entire audience involved by having members pass the Catchbox short distances to the person who wants it. This is a great way to activate the crowd.



! WARNING !

Improper throwing and use of the device can lead to serious injury and/or property damage. Do not throw at peoples' heads and always make sure everyone is aware of the situation before throwing. Do not use in situations with fragile objects, hot liquids, or people susceptible to injury, like the very young or old. Do not throw long passes or hard passes. Do not swing or throw this product from its handle as this may cause the Catchbox Pro Module to detach from the cover.

Speaking Into the Catchbox

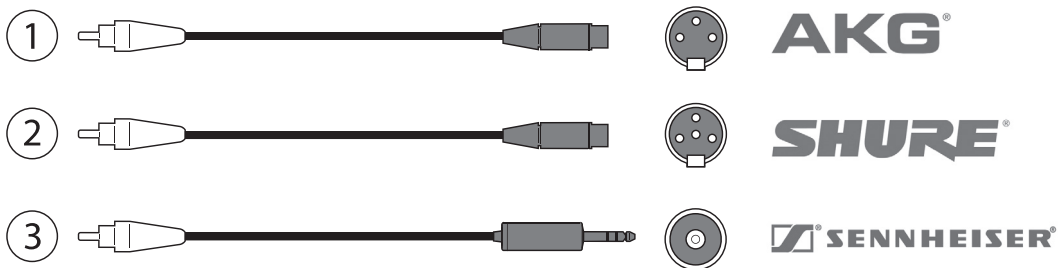
To use the Catchbox, simply speak into the foam cap located on top of the product. It is advisable to inform audience members at what distance to speak into the Catchbox. A distance of 20cm / 8in is ideal. This will provide the clearest sound while not blocking the persons face who is speaking. Avoid using the Catchbox near speakers as this can cause audio feedback.



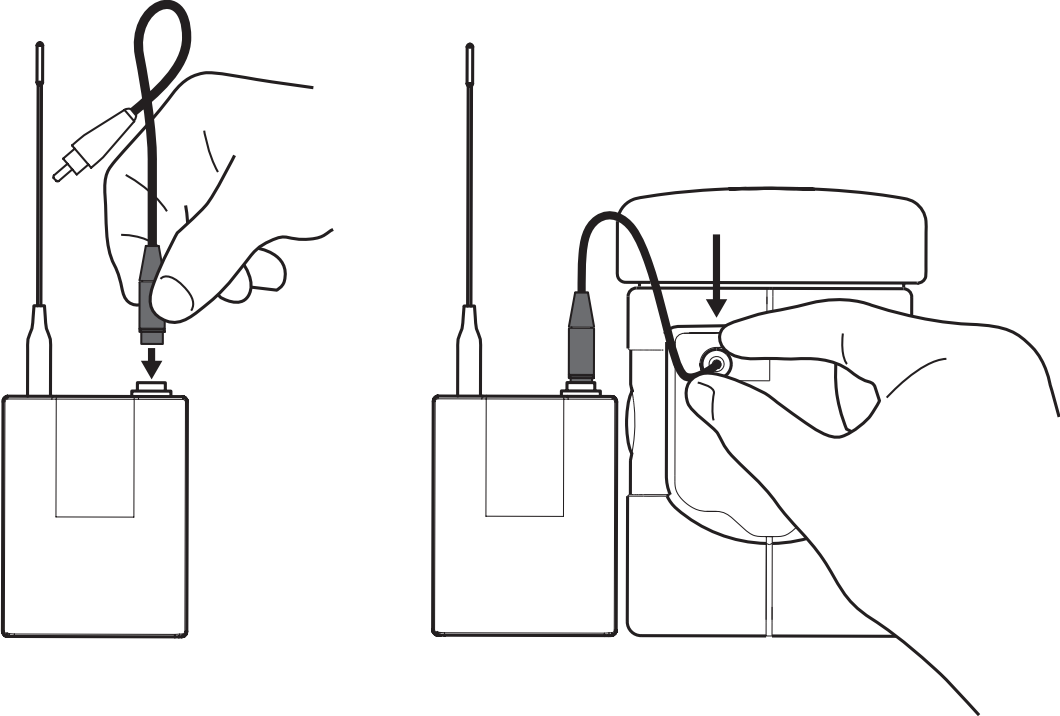
Connecting Catchbox Pro Module With 3rd Party Belt-pack Transmitter

You can connect different 3rd party wireless transmitters into the Catchbox Pro Module. To do this, make sure your transmitter is listed as being compatible by reviewing the section on compatibility. Afterwards, choose the correct adapter cable and plug it into your transmitter's microphone port. There are three different adapter cables to choose from, each designed for a specific brand of wireless transmitter. Look at the microphone input of your transmitter and choose an adapter cable with a proper pin layout. The list below shows the connector types for the three brands currently supported.

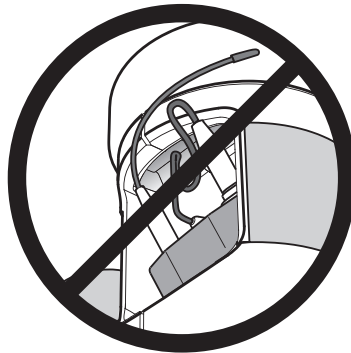
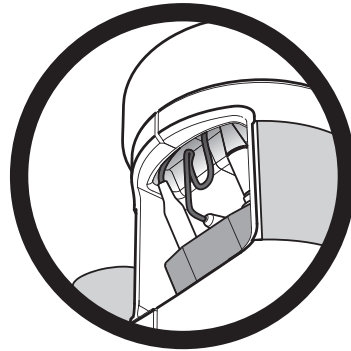
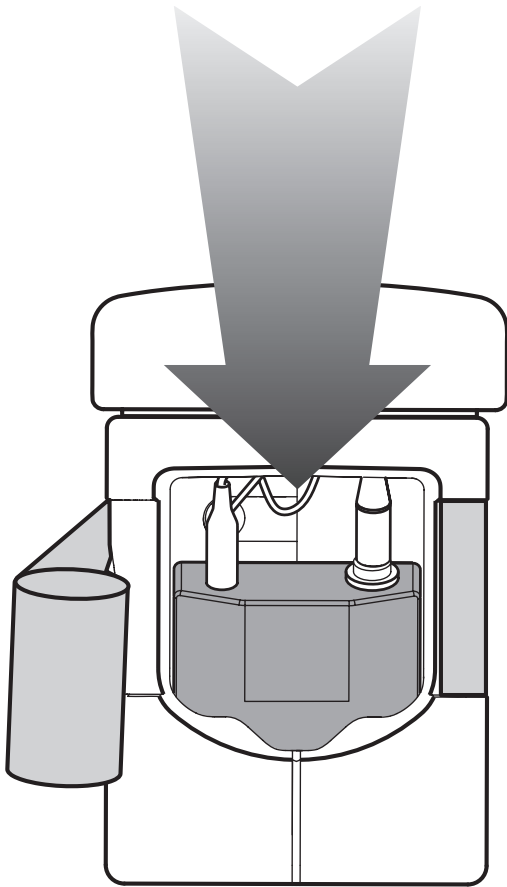
- 1) 3 pin mini XLR (AKG)
- 2) 4 pin mini XLR (Shure)
- 3) 3.5 mm (1/8 in) (Sennheiser)



Once you have connected the adapter cable, connect the 3rd party transmitter to the Catchbox Pro Module by plugging the RCA male end of the adapter cable into the RCA female connector, located inside the front cavity of the Catchbox Pro Module.



Afterwards, place the 3rd party transmitter inside the cavity of the Catchbox Pro Module, making sure no antennas or cables are protruding outwards.



7 Troubleshooting

Problem	Possible Cause	Solution
No sound	1) Catchbox Pro Module is not turned on, indicated by no light on the status LED. 2) 3rd party transmitter or receiver is not turned on or these are not paired.	1) Turn on the Catchbox Pro Module using the power switch located at the back of the device. The LED status light should turn green. If it doesn't, you may need to replace the battery. 2) Make sure both the 3rd party wireless transmitter and receiver are on and paired with each other. See corresponding 3rd party user manual for further assistance..
Audio signal dropouts or breaks	1) Wireless connection between 3rd party transmitter and receiver is weak and unreliable.	1) See 3rd party transmitter and receiver user manual for more assistance. Common causes for a weak unreliable signal are that the receiver and the transmitter are located too far away from each other, the signal is being absorbed by objects between the two devices, and/or other devices are operating on the same frequency band, congesting the frequency band.
Distorted sound	1) Adapter cable is broken or not properly attached. 2) Volume too high.	1) Check the adapter cable connection to the 3rd party transmitter as well as to the Pro Module. If problem persists, replace the adapter cable. 2) Reduce the output volume at the receiver by using the volume knob.
Pro Module falling out of cover	1) The magnetic locks are misaligned. 2) Magnetic lock has been damaged or magnets have lost strength.	1) Align the magnets by twisting the Catchbox Pro Module inside the cover. 2) Get the product serviced.
Audio feedback	1) Catchbox microphone is situated too close to the speaker system.	1) Move Catchbox microphone away from the speakers.

For more technical assistance, contact us by email (info@getcatchbox.com) or visit our website (www.getcatchbox.com).

8 Maintenance, Storage, and Disposal

Proper maintenance and storage of the Catchbox Pro will help ensure the product remains operational and safe to use. Improper maintenance or storage, in turn, can lead to equipment failure which can cause serious injury during use. Do not attempt to repair the unit yourself. The equipment should be opened, serviced, and repaired by authorized personnel only. Always refer to the user manual for proper maintenance, storage, and disposal instructions and do not throw away the user manual. Always keep it near the product for reference by other users.

Cleaning

To clean the equipment, use a moistened (not wet) cloth only. Be sure to turn off the device before cleaning. To clean the outer cover, first remove the Catchbox Pro Module unit from the inside. Only use dry cleaners and do not place the outer cover in a washing machine. Always remember to inform cleaners that the device contains a magnet and should not be treated in temperatures in excess of 50 degrees Celsius, 122 degrees Fahrenheit, or near equipment sensitive to strong magnetic fields.

Storage

Magnets produce a far-reaching, strong magnetic field. Keep magnets away from devices and objects that could be damaged by strong magnetic fields, like laptops and other electrical equipment. Operating or storing this product above 50 degrees Celsius or 122 degrees Fahrenheit will cause the locking mechanism to fail permanently. This, in turn, will cause the Catchbox Pro Module to fall out of the cover during use, potentially leading to personal injury and/or property damage. Do not place the equipment near heat sources such as heating ducts or radiators and do not expose it to direct sunlight, excessive dust, moisture, rain, mechanical vibrations, or shock. Do not use or store near water. If the equipment comes into contact with a liquid, turn off the device along with the 3rd party transmitter attached to it.

Disposal

To dispose of a broken or defective unit, send the unit back to the manufacturer or consult your local waste management professional. Be sure to dispose of dead batteries as required by local waste disposal rules. Never throw batteries into a fire or a garbage bin.

9 Notes

Lined writing area for notes, consisting of 21 horizontal lines.



www.getcatchbox.com

CE